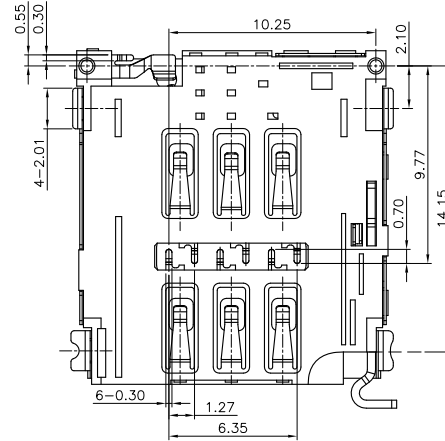
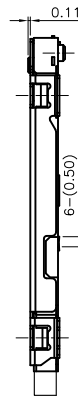
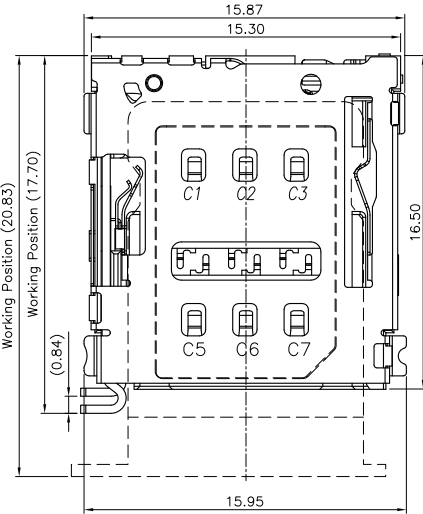
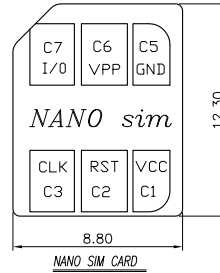
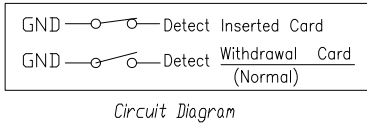
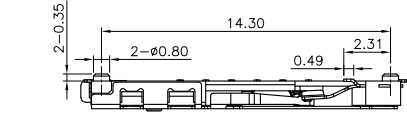
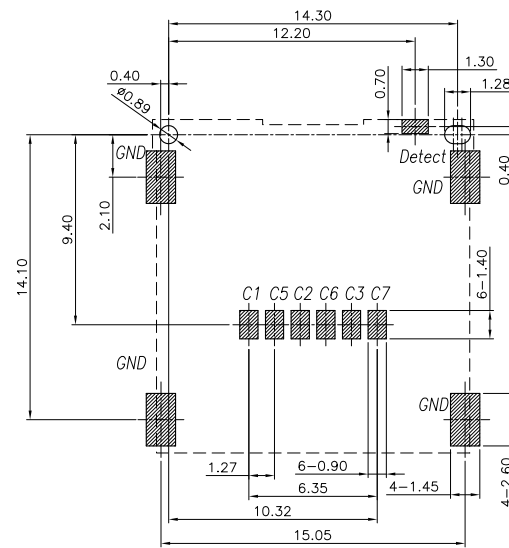
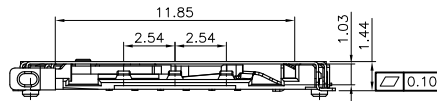
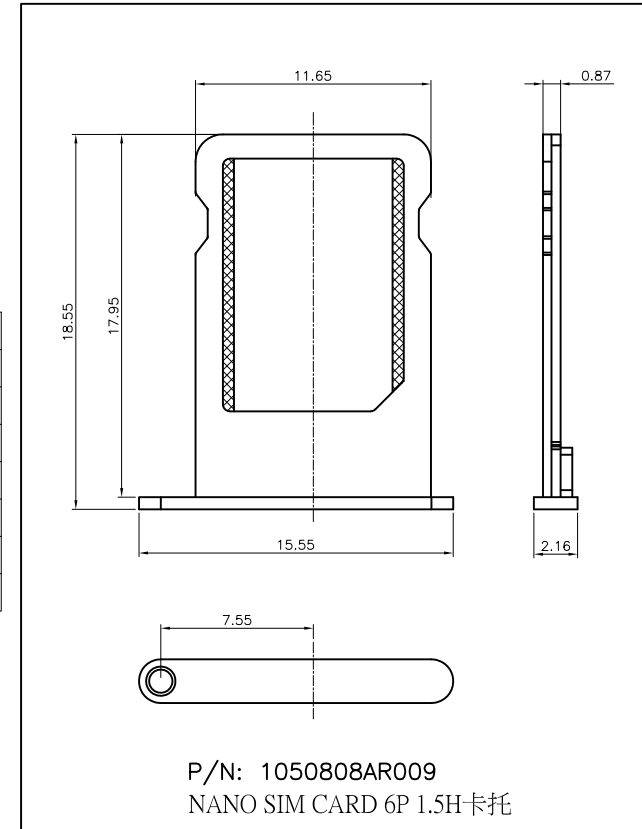


ROHS Compliant



SIM pin Assignment	
PIN#	Name
C1	VCC
C2	RST
C3	CLK
C5	GND
C6	VPP
C7	I/O



RECOMMENDED PCB LAYOUT
GENERAL TOLERANCE ±0.05

SPECIFICATIONS:

- ELECTRICAL CHARACTERISTICS
 - CONTACT RESISTANCE: 80 milliohms MAX.
 - INSULATION RESISTANCE: 1,000 Megohms MIN.
 - DIELECTRIC WITHSTANDING VOLTAGE: 500V AC FOR 1 MINUTE.
- MECHANICAL CHARACTERISTICS
 - RETENTION FORCE: MIN. 100gf/PIN
 - DURABILITY: 5,000 CYCLES
- RoHS 2002/95/EC COMPLIANT.

C	DESCRIPTION	QTY	MATERIAL	PLATING & COLOR
C	SHELL	1	STAINLESS STEEL	Ni PLATING
B	CONTACT	7	COPPER ALLOY	Gold plated on contact area Tin plated on Solder tail All over Nickel Plated
A	HOUSING	1	HIGH-TEMPERATURE PLASTIC UL94-V0	BLACK

UNLESS OTHERWISE SPECIFIED TOLERANCES

DECIMALS:	ANGLES:
X : ±0.5	X : ±2°
X.X : ±0.3	X.X : ±1°
X.XX : ±0.2	



TITLE: NANO SIM CARD 6P 1.5H WITH DETECT PIN			
PART NO.	1050808AR003		
DWN	TOM	2011.03.22	
CHKD			
APVD			
SCALE 1:1	UNIT: mm		
CUSTOMER COPY	SIZE: A4	SHEET: 10F1	REV: A