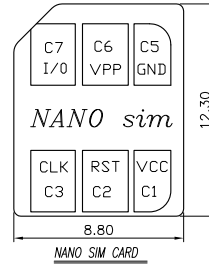
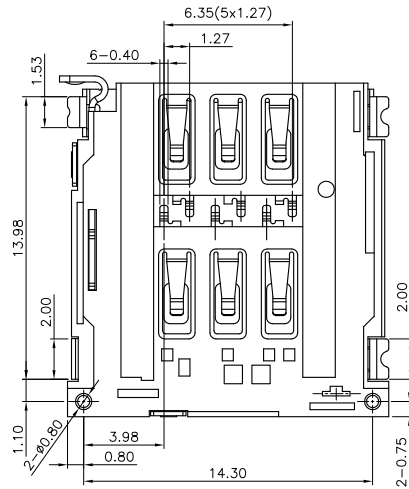
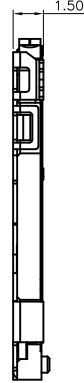
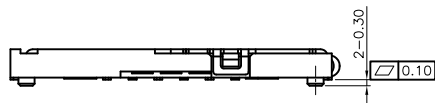
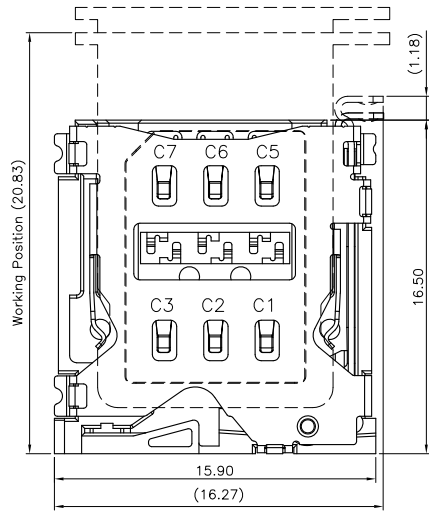
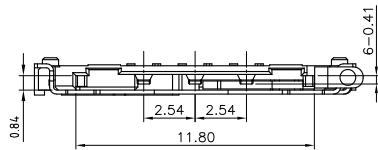
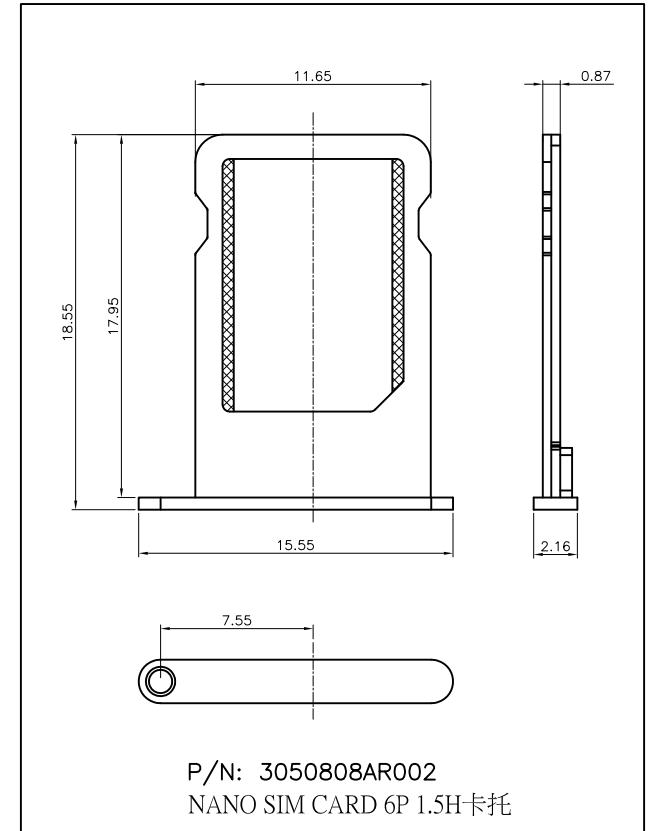


ROHS Compliant

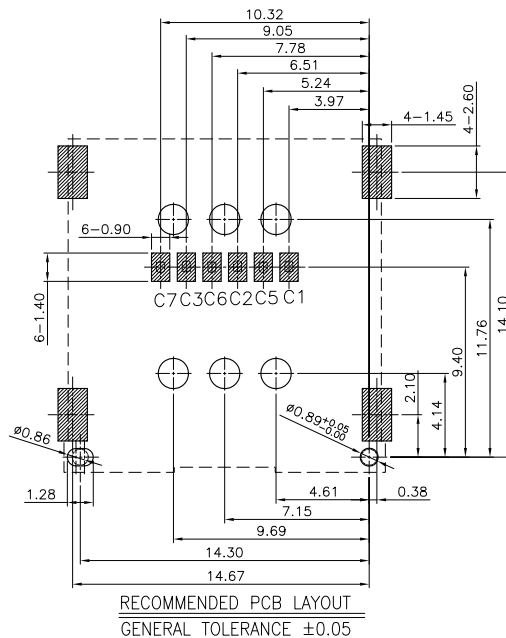


SIM pin Assignment	
PIN#	Name
C1	VCC
C2	RST
C3	CLK
C5	GND
C6	VPP
C7	I/O



SPECIFICATIONS:

- ELECTRICAL CHARACTERISTICS
 - CONTACT RESISTANCE: 80 milliohms MAX.
 - INSULATION RESISTANCE: 1,000 Megohms MIN.
 - DIELECTRIC WITHSTANDING VOLTAGE: 500V AC FOR 1 MINUTE.
- MECHANICAL CHARACTERISTICS
 - RETENTION FORCE: MIN.100gf/PIN
 - DURABILITY: 5,000 CYCLES
- RoHS 2002/95/EC COMPLIANT.



NO	DESCRIPTION	QTY	MATERIAL	PLATING & COLOR
C	SHELL	1	STAINLESS STEEL	Ni PLATING
B	CONTACT	7	COPPER ALLOY	Gold plated on contact area Tin plated on Solder tail All over Nickel Plated .
A	HOUSING	1	HIGH-TEMPERATURE PLASTIC UL94-V0	BLACK

UNLESS OTHERWISE SPECIFIED TOLERANCES

DECIMALS: ANGLES:
X :±0.5 X :±2°
X.X :±0.3 X.X :±1°
X.XX :±0.2



TITLE: NANO SIM CARD 6P 1.5H W/O DETECT PIN		
PART NO.	1050808AR002	
DWN	TOM	2011.03.22
CHKD		
APVD		
SCALE 1:1	UNIT: mm	
CUSTOMER COPY	SIZE: A4	SHEET: 10F1 REV: A

F
E
D
C
B
A