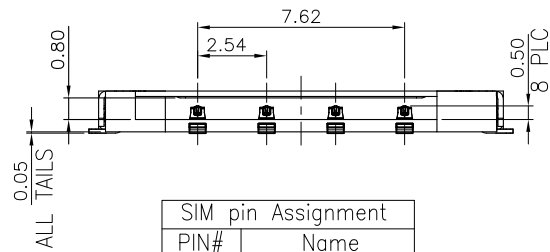
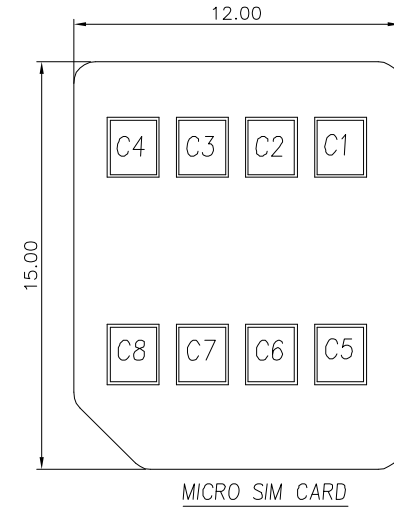
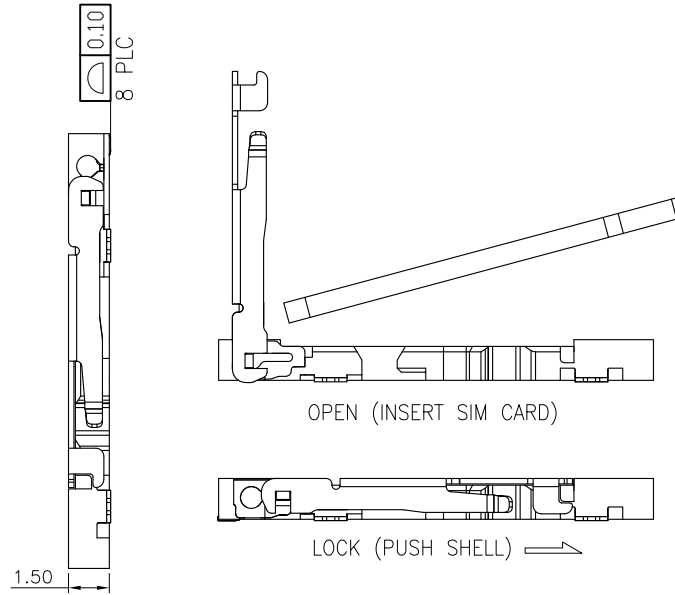
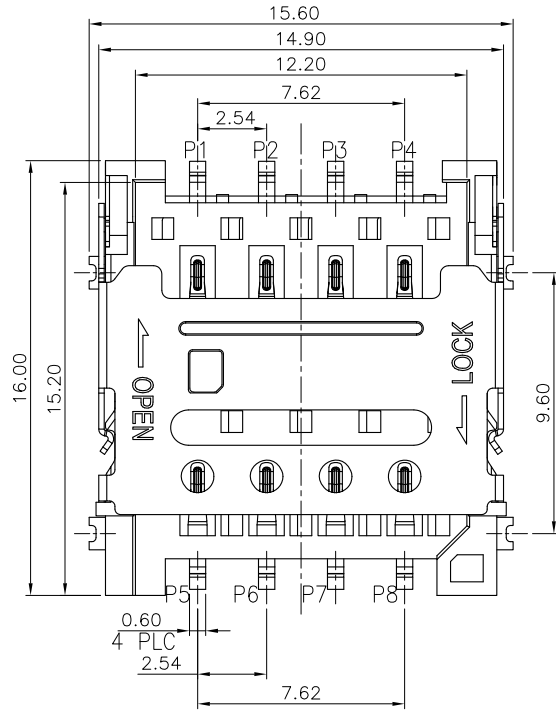
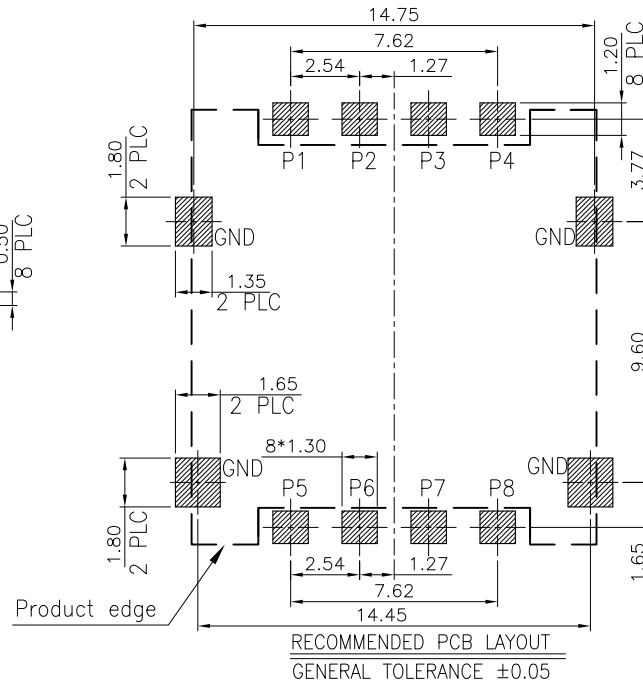


ROHS Compliant

REV.	ECN NO OR DESCRIPTION	REVISED	DATE
A	PRODUCT RELEASE	TOM	2011.03.22



SIM pin Assignment	
PIN#	Name
C1	VCC
C2	RST
C3	CLK
C4	RESERVED
C5	GND
C6	VPP
C7	I/O
C8	RESERVED



SPECIFICATIONS:

- ELECTRICAL CHARACTERISTICS**
 - 1-1. CONTACT RESISTANCE: 80 milliohms MAX.
 - 1-2. INSULATION RESISTANCE: 1,000 Megohms MIN.
 - 1-3. DIELECTRIC WITHSTANDING VOLTAGE: 500V AC FOR 1 MINUTE.
- MECHANICAL CHARACTERISTICS**
 - 2-1. RETENTION FORCE: MIN. 100gf/PIN
 - 2-2. DURABILITY: 5,000 CYCLES
- RoHS 2002/95/EC COMPLIANT.**

NO	DESCRIPTION	QTY	MATERIAL	PLATING & COLOR
C	SHELL	1	STAINLESS STEEL 0.15t	Ni PLATING
B	CONTACT	8	COPPER ALLOY 0.15t	Gold plated on contact area Gold plated on Solder tail All over Nickel Plated
A	HOUSING	1	HIGH-TEMPERATURE PLASTIC UL94-V0	BLACK

UNLESS OTHERWISE SPECIFIED TOLERANCES

DECIMALS: ANGLES:
 X :±0.5 X :±2°
 X.X :±0.3 X.X :±1°
 X.XX :±0.2



TITLE: MICRO SIM CARD 8P HINGED TYPE 1.5H

PART NO. 1050821AR002

DWN TOM 2011.03.22

CHKD

APVD

SCALE 1:1 UNIT: mm

CUSTOMER COPY SIZE: A4 SHEET: 10F1 REV: A